



Safety Electrician

Product Manual

TNC

Safety Electrician



TNC SWITCH&SOCKET
FOR OPTIMAL LIGHT



Q6 Series

Appearance design complies with the concept of “floating” industrial

design, large key switch;The frame design refers to the arc of iPhone 4S;

Hidden LED indicator(optional choice), avoid direct light making people feel uncomfortable;

Hidden LED shines only onto the LOGO position, and at the

LOGO place, there is groove which could enlarge light area, makes the switch graceful



Q6 SERIES

Free combination of different switch and socket modules;-we use the conjoined frames, all the modules with the same size, can put into any holes of the frames; with optional choice for 2-5 conjoined items; very easy for installation



Confident in our workmanship and materials, TNC offer a substantial guarantee on all products.



25 YEARS
quality warranty



Adopted high quality fire resistant PC for faceplate, VO anti-burning base;
Big silver alloy contact point, reduce electric arc effectively. Life time of switch is up to 40000 times.

Enhanced safety technique of door protection design in order to avoid mistake plugging. Life time of BS socket is up to 15000 times.



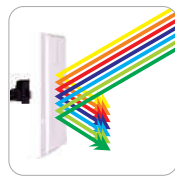
Panel Material adopts fire-resistant PC

PC advantages:

1. High strength: anti distortion, anti shock, anti aging.
2. High and low temperature resistant: no deformation/ no cracking between temperature of +120C and -(subzero)40C, fire resistant temperature reaches to 850C, flame on PC dies out within 30S after removed from fire source.
3. No color fading, color well distributed, anti-UV
4. Environmental friendly, no heavy metal, easy to clean.



Insulation pc



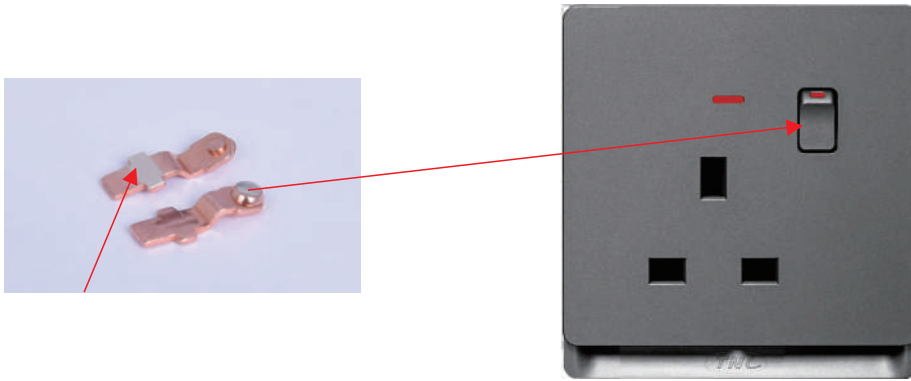
Impact
resistance



850° C
Glow wire test,
flame dieoff
within 30 seconds.



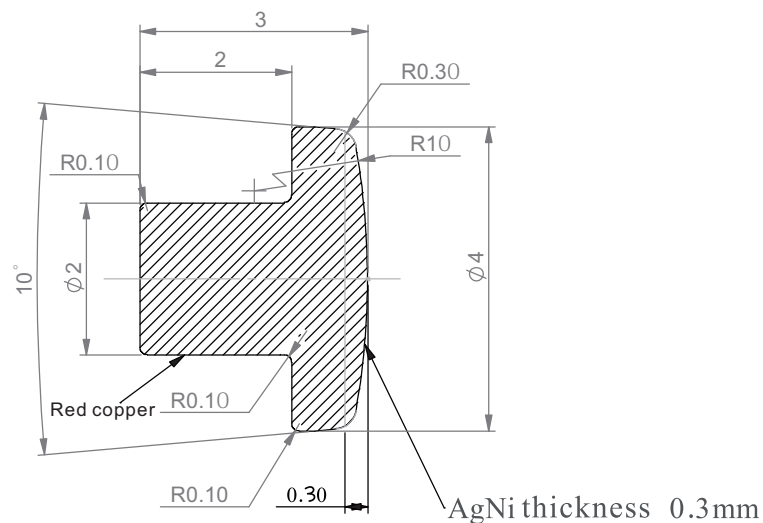
Environmental
friendly



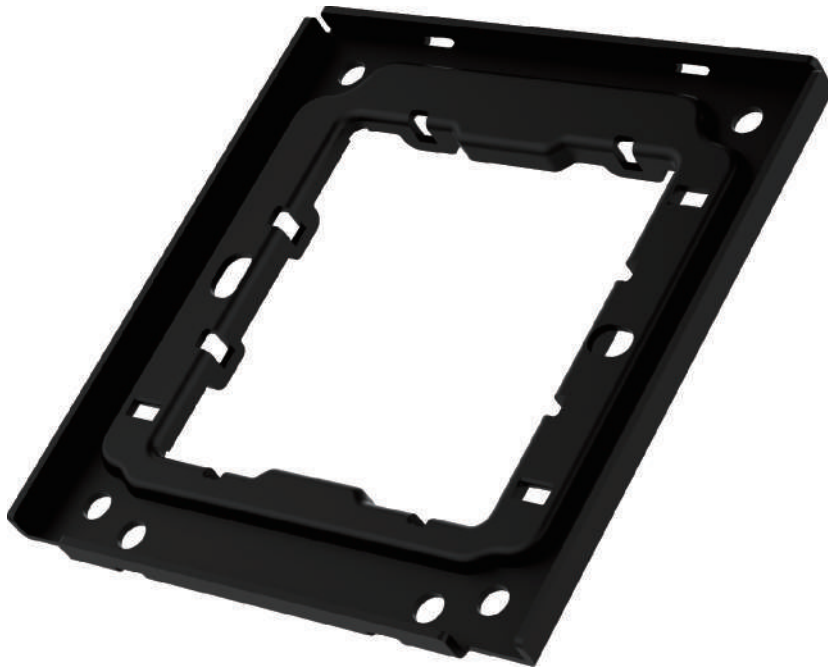
Nickel Silver alloy for the contact point
Back of contactor is coated with silver,
better for current running and reduce heat

Advantages :

1. large contact point.
2. low contact resistant, good conductivity.
3. not easy to have electric arc .
4. high strength.
5. high temperature resistant, low temperature rise , abrasion resistant, oxidation resistant, long lifespan.



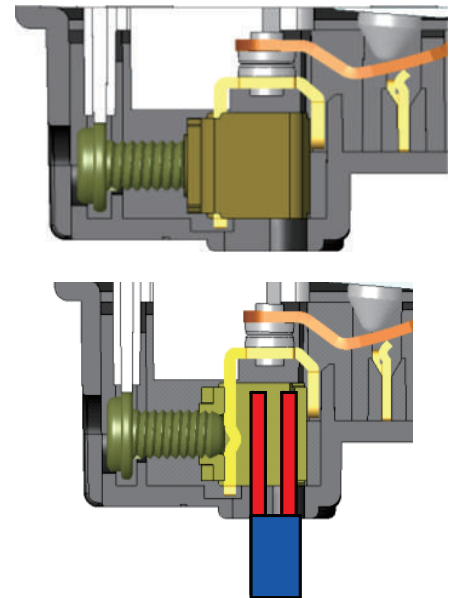
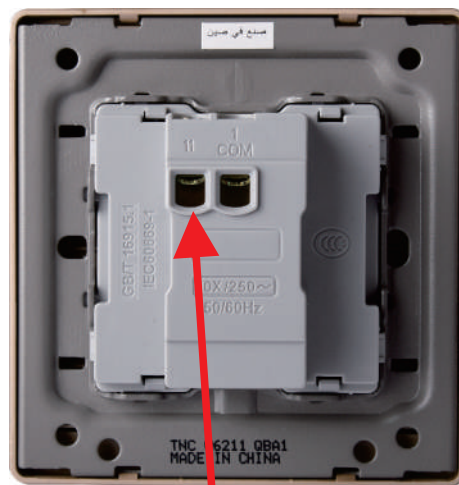
Cross section A-A



Base material – Metal

Advantages:

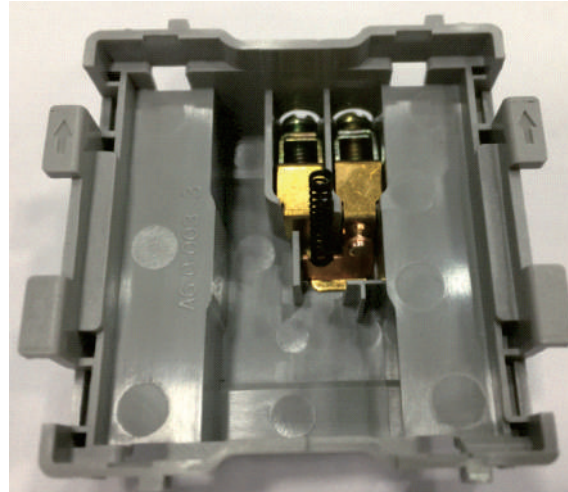
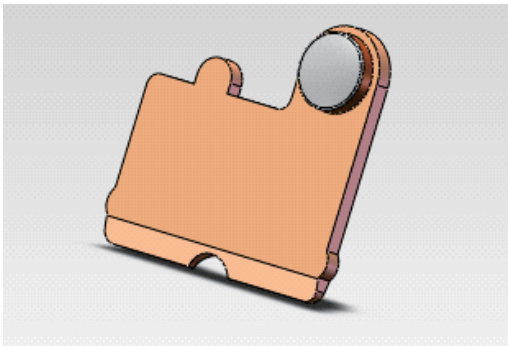
1. The metal plate with side edge, patent structure, very stable, even for long conjoined plates.
2. There are additional holes on the plate, to meet requirement from different condition, for example for the hole on the furniture



Terminal

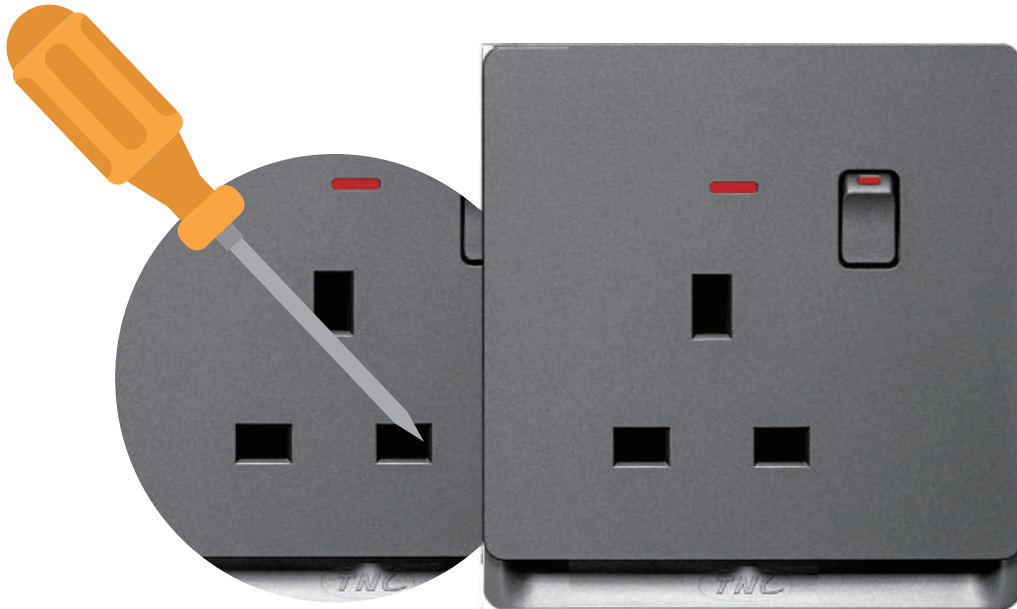
advantages:

1. Hug type wiring terminal, very tight to fasten the wire but not hurt the wire;
2. Effectively prevent the temperature rising



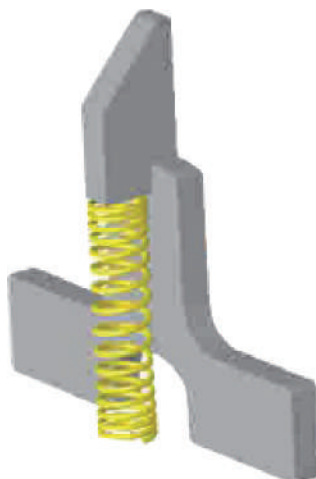
Swing type

Swing type contactor structure, to cut the current fast and complete, more security, push the toggle and they will be forced to disconnect.

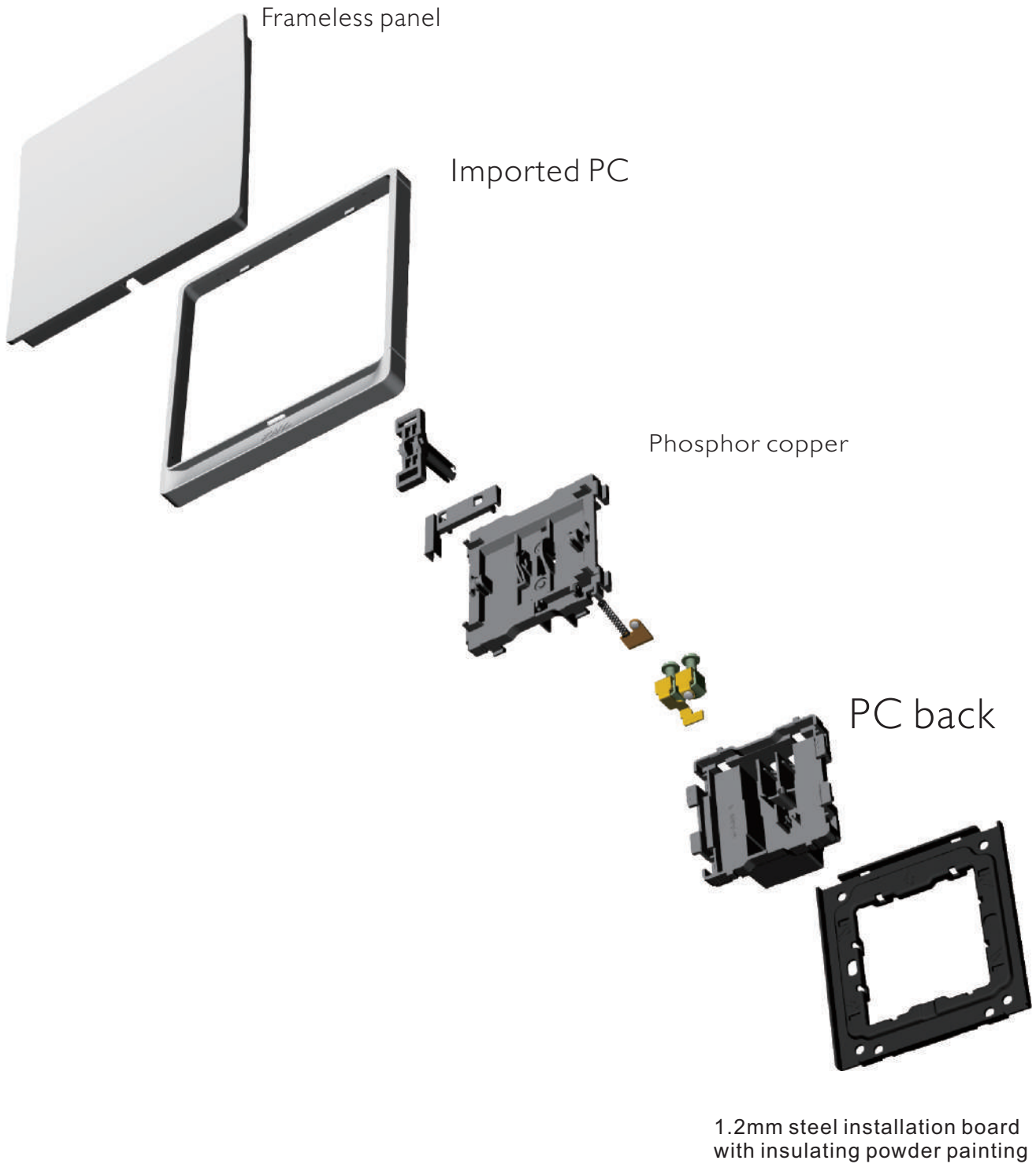


Protection door:

The materials used are flame retardant PA66 nylon with 15% glass fiber. Abrasion resistant, high temperature resistant, good toughness. Superior protection door design can withstand 20N (Newton) damage test. Protection door locks automatically when plugged in just one hole, to avoid electric shock and ensure safety.



THE PRODUCT STRUCTURE





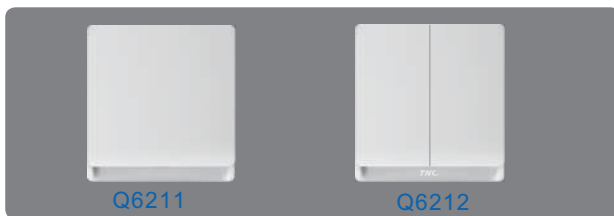
- 16Amp 10AX switch 12
- 13Amp Socket Outlets 12
- 20A DP switch 13
- 45A DP switch 13
- Dimmer switch 14
- Information socket 14



10Amp 10AX switch

Model NO.	Description	Box	Carton
Q6211	1 G 1 W switch	10	100
Q6211-2	1 G 2 W switch	10	100
Q6212	2 G 1 W switch	10	100
Q6212-2	2 G 2 W switch	10	100
Q6213	3 G 1 W switch	10	100
Q6214	4 G 1 W switch	10	100

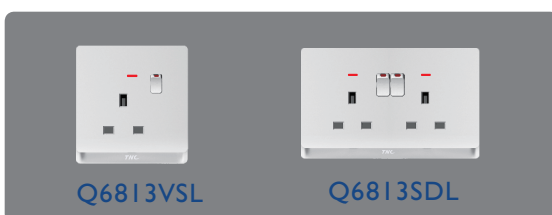
- All switch 10Amp, 10AX rated
- 86*90MM size
- Installation opening distance 60.3mm
- Plate-switch manufactured to IEC60669-1
- All switch 250V, AC, 50/60Hz
- Screw terminal
- Minimum mounting box depth:31.63mm



13Amp Socket Outlets

Model NO.	Description	Inner Box	Outer Carton
Q6813VSL	1 G 13A BS socket+switch+ neon	10	100
Q6813SDL	2 G 13A BS socket+DP switch +neon	10	100
Z813-USB	1 G13A BS socket+USB(2A)		

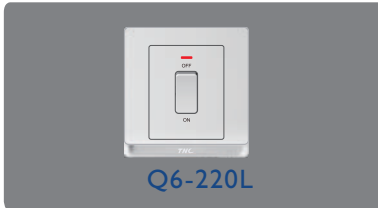
- All socket 13Amp rated
- Screw terminal
- Minimum mounting box depth:27.06mm
- 86*90MM, 90*146MM size
- Installation opening distance 60.3mm
- manufactured to BS1363



20A DP switch

Model NO.	Description	Inner Box	Outer Carton
Q6-220L	20A DP switch + neon	10	100

- 86*86MM size
- Installation opening distance 60.3mm
- Plate-switch manufactured to IEC60669
- 250V~ 50/60Hz
- Screw terminal
- Minimum mounting box depth 21.5MM



45A DP switch

Model NO.	Description	Inner Box	Outer Carton
Q6245L	45A DP switch + neon	10	100

- 86*90MM size
- Installation opening distance 60.3mm
- Plate-switch manufactured to IEC60669
- Screw terminal
- Minimum mounting box depth 21.5MM



Dimmer switch

Model NO.	Description	Inner Box	Outer Carton
Q62-M11	630W dimmer switch	8	80

- 86*90MM size
- Installation opening distance 60.3mm
- Plate-switch manufactured to IEC60669-2-1
- 220V~ 50/60Hz
- Minimum mounting box depth 26.5MM
- suitable for fluorescent lamps&some kinds of LED



Information socket

Model NO.	Description	Inner Box	Outer Carton
Q6801ETV	Satellite TV socket	8	80
Q6801-4TU	TEL socket	8	80
Q6801PC	PC socket(cat5)	8	80

- 86*86MM size
- Installation opening distance 60.3mm
- Plate-switch manufactured to IEC60669
- Screw terminal
- Minimum mounting box depth 21.5MM

